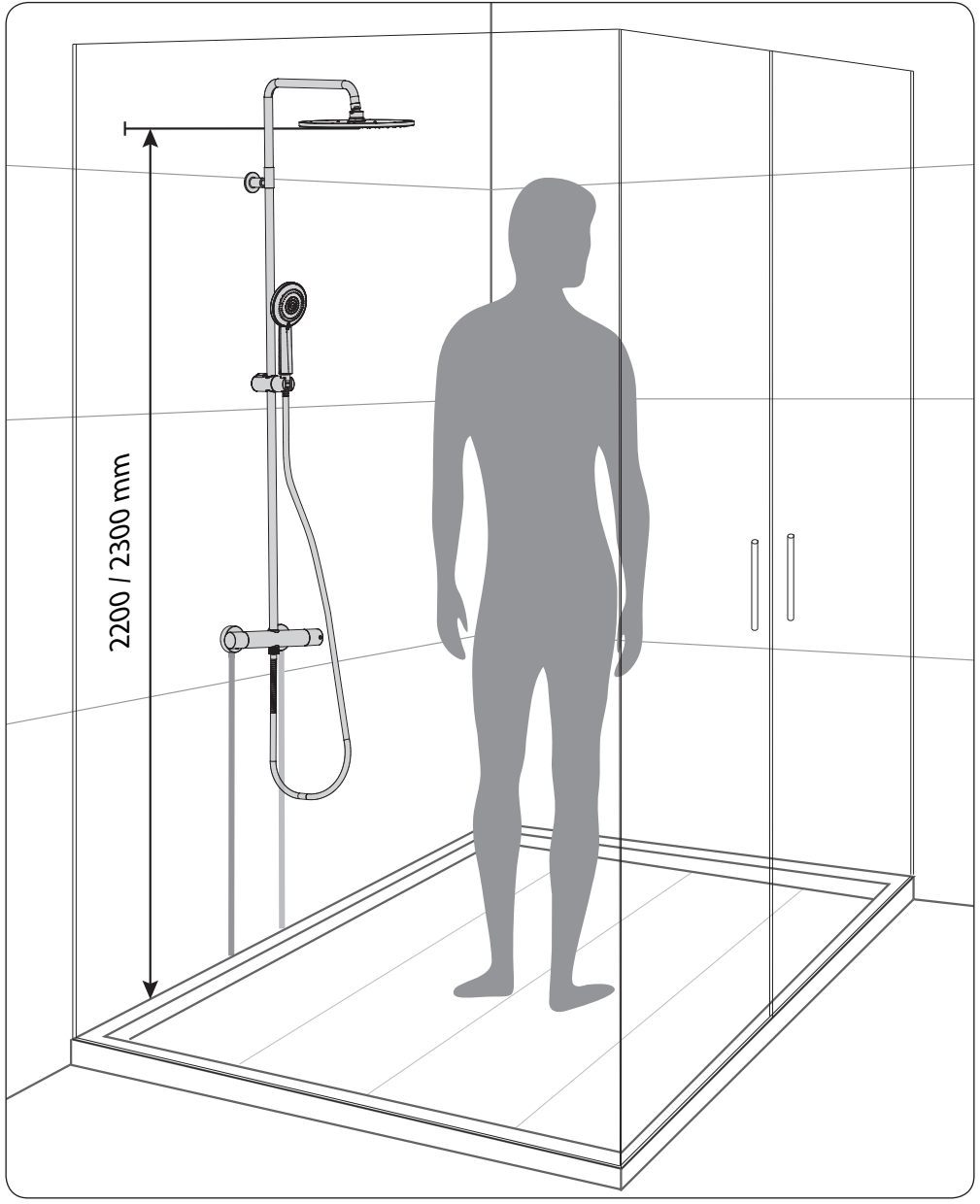
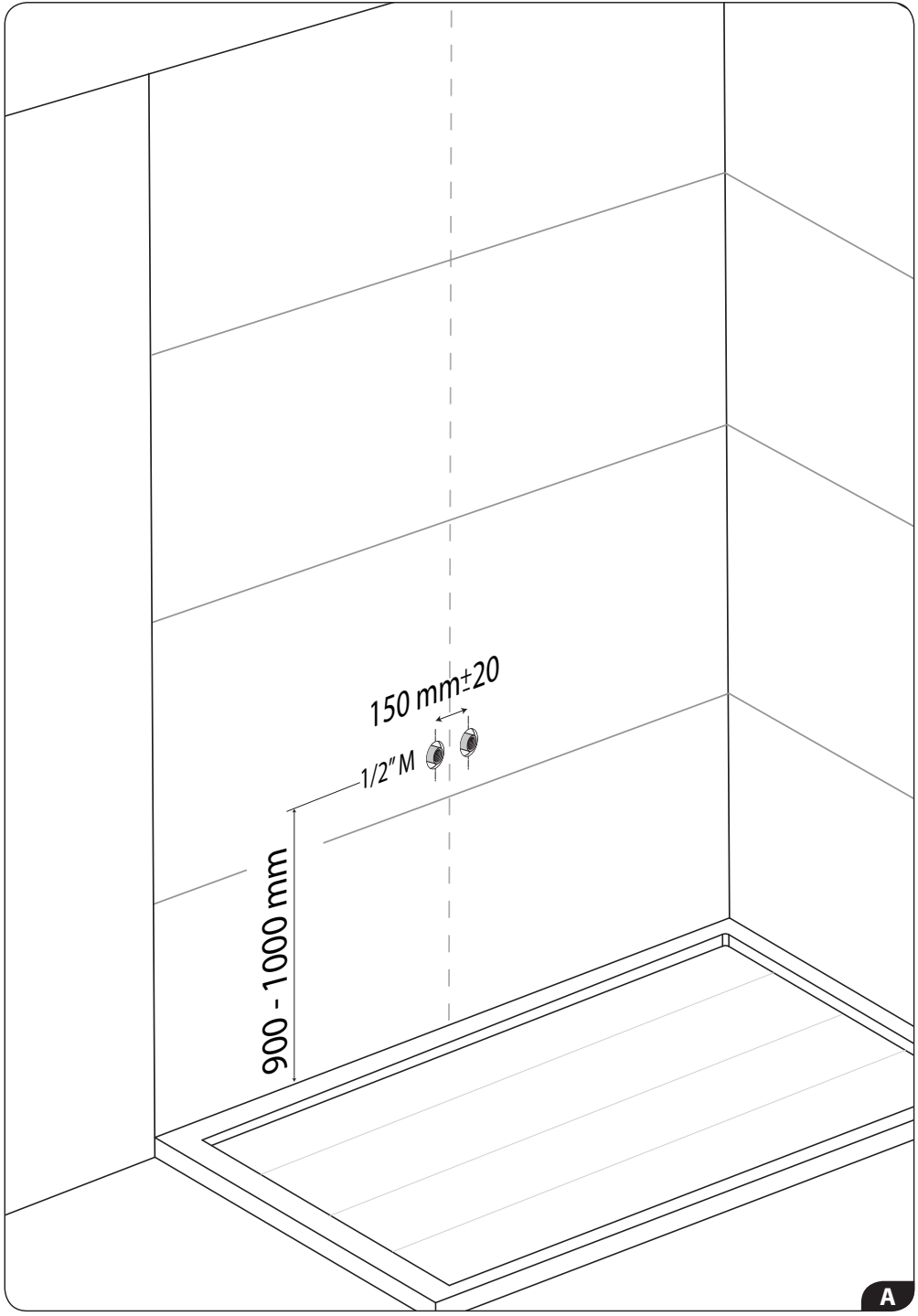
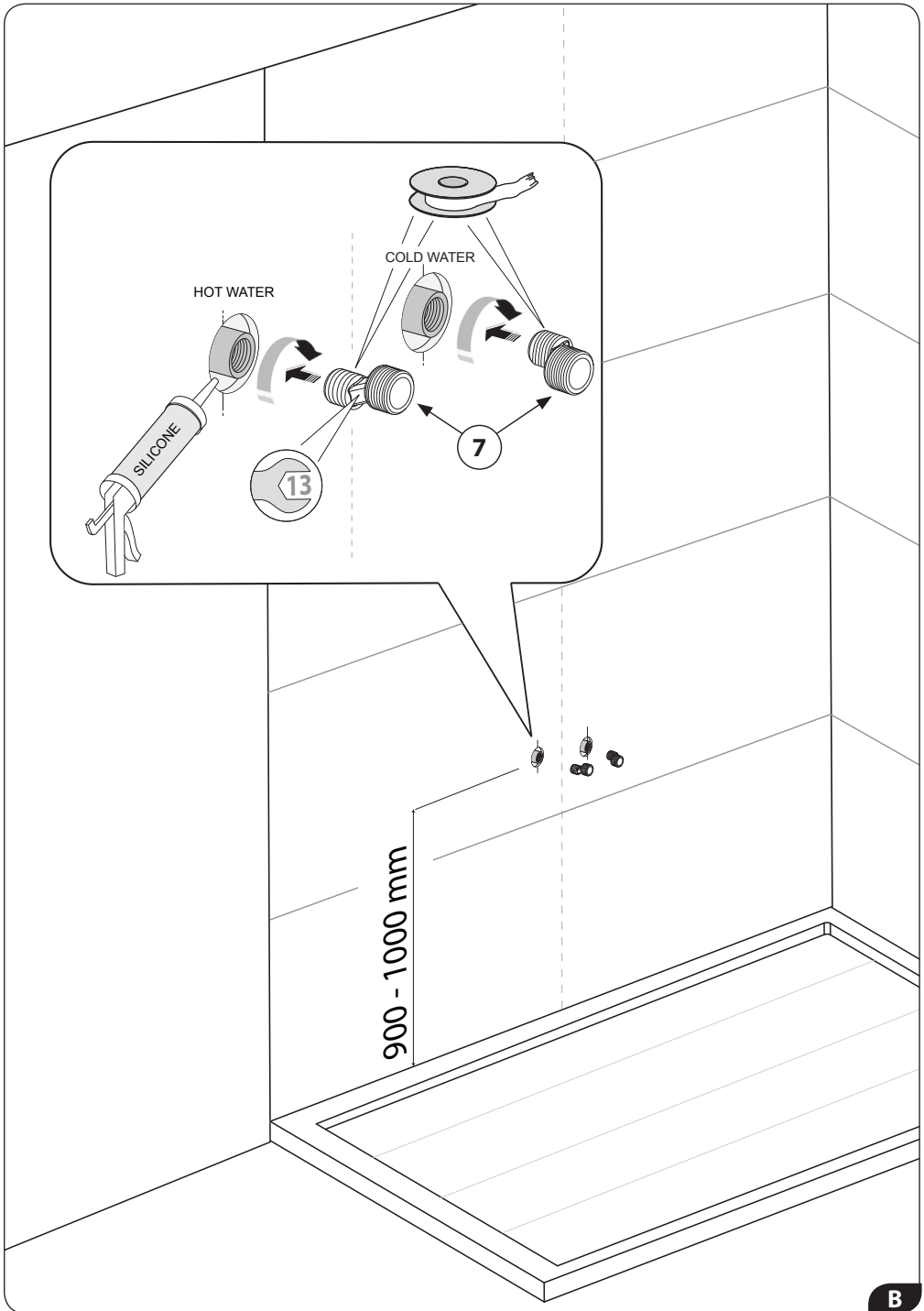
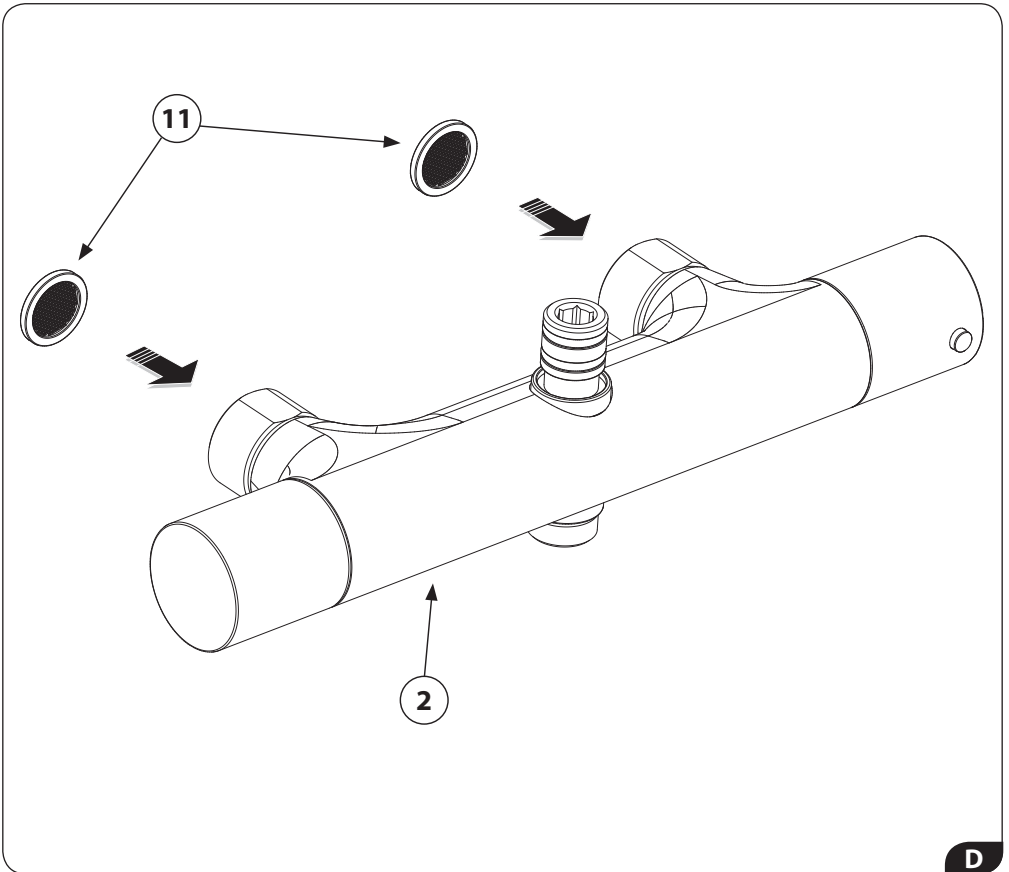
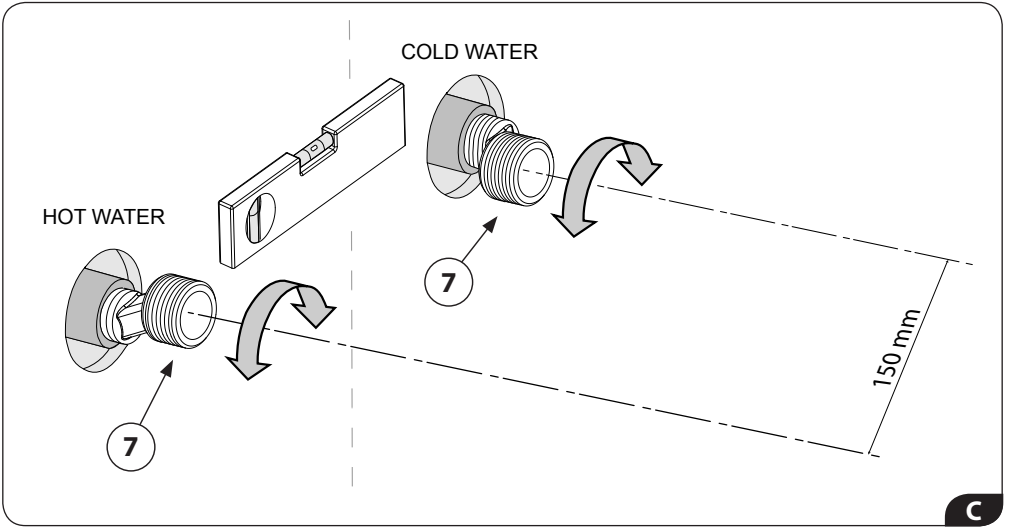


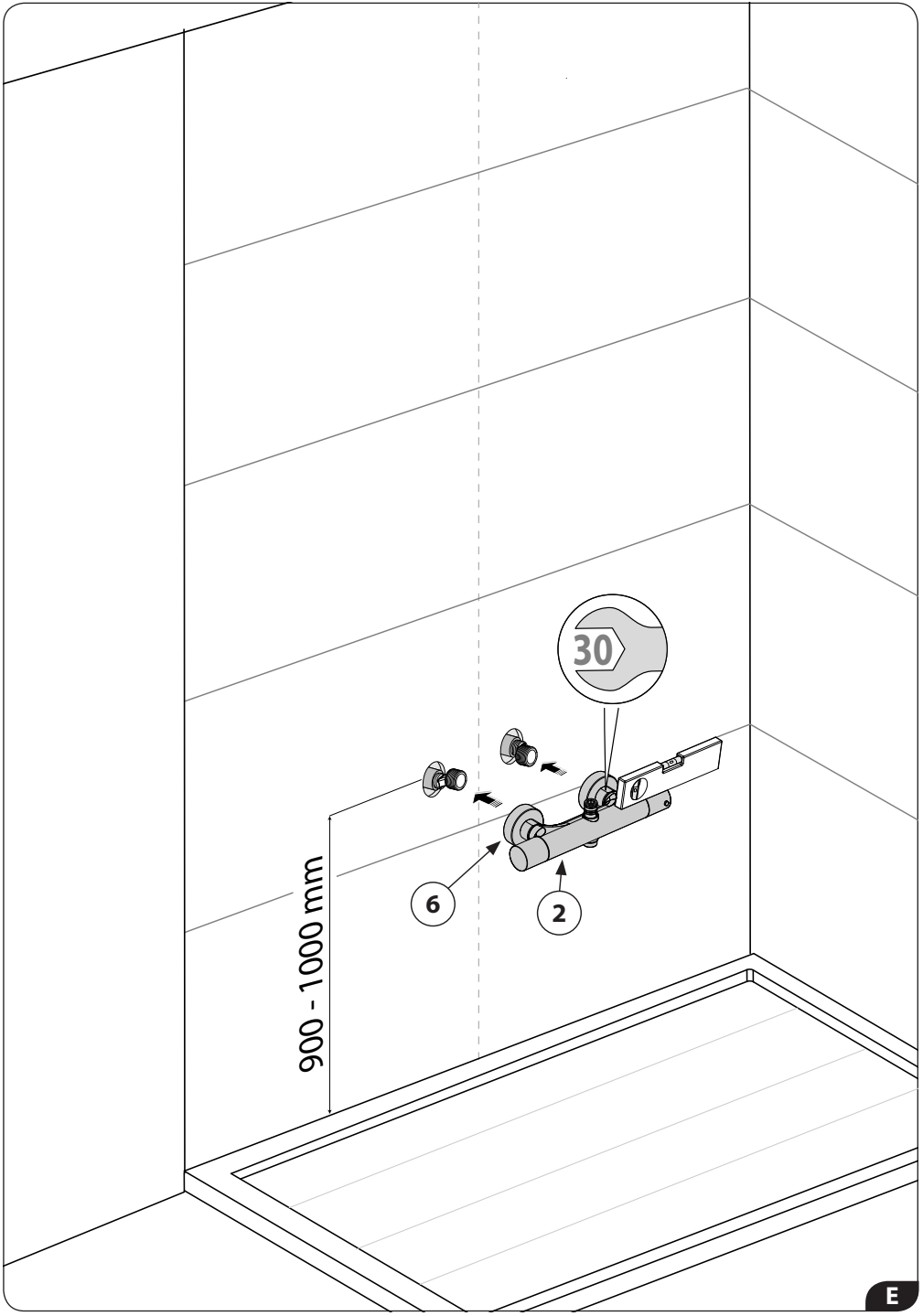
ILLUSTRAZIONI DI MONTAGGIO







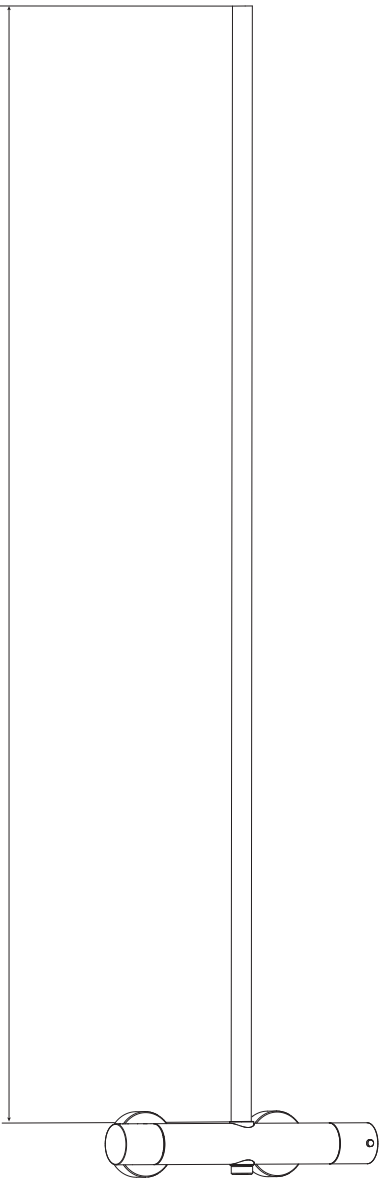






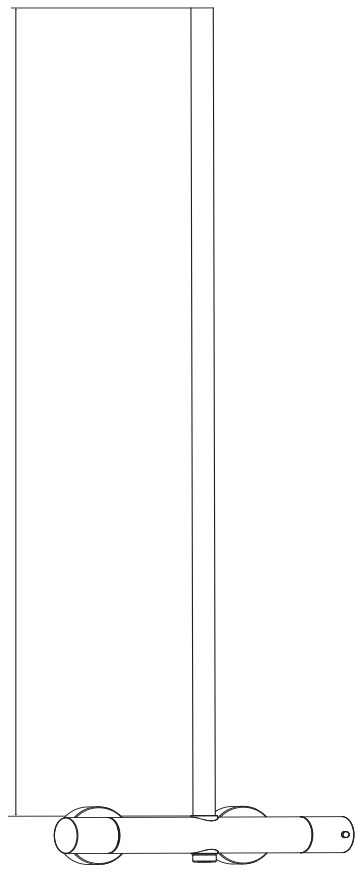
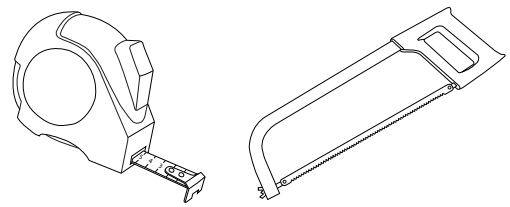
Solution A (STANDARD)

1080 mm (STANDARD)

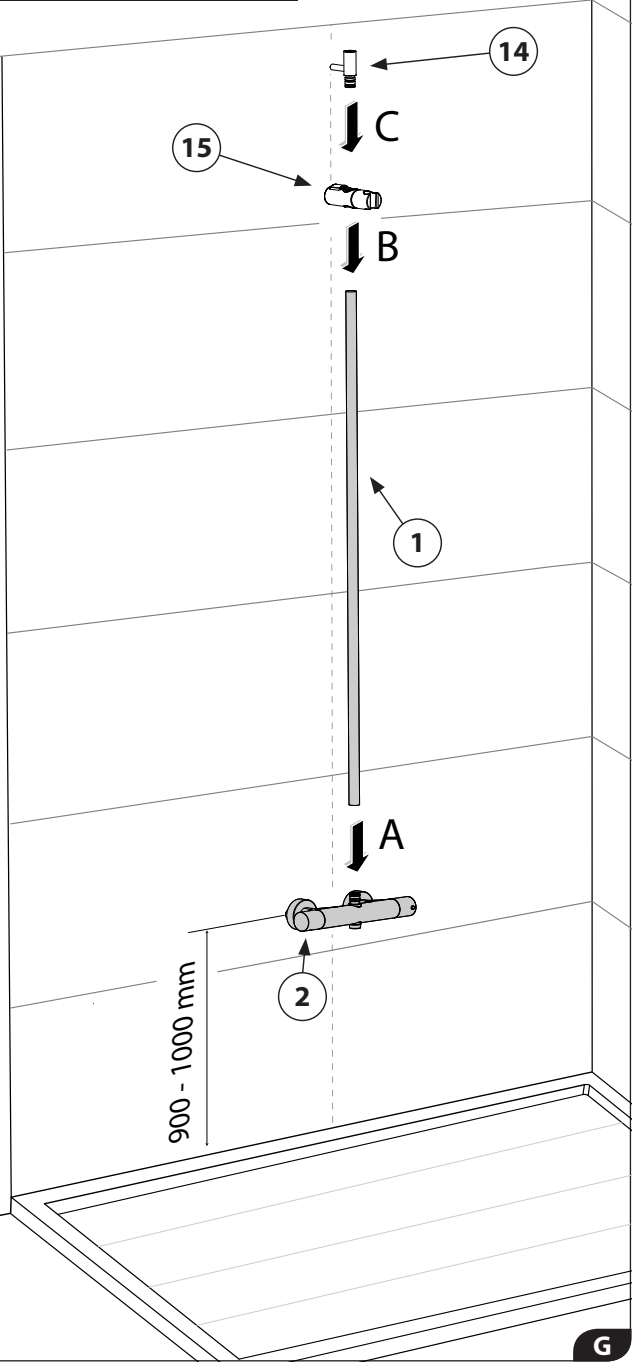
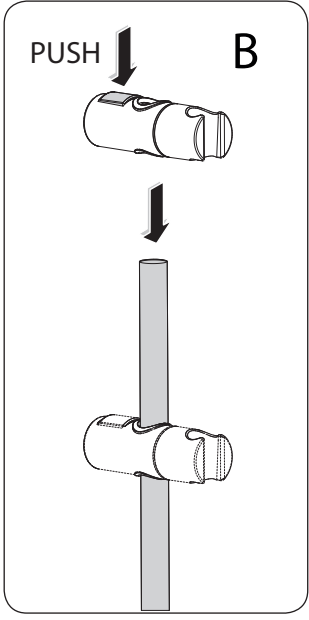
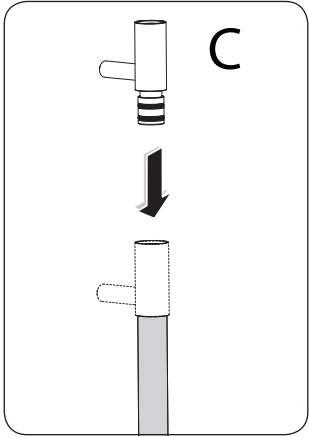


Solution B (CUSTOM)

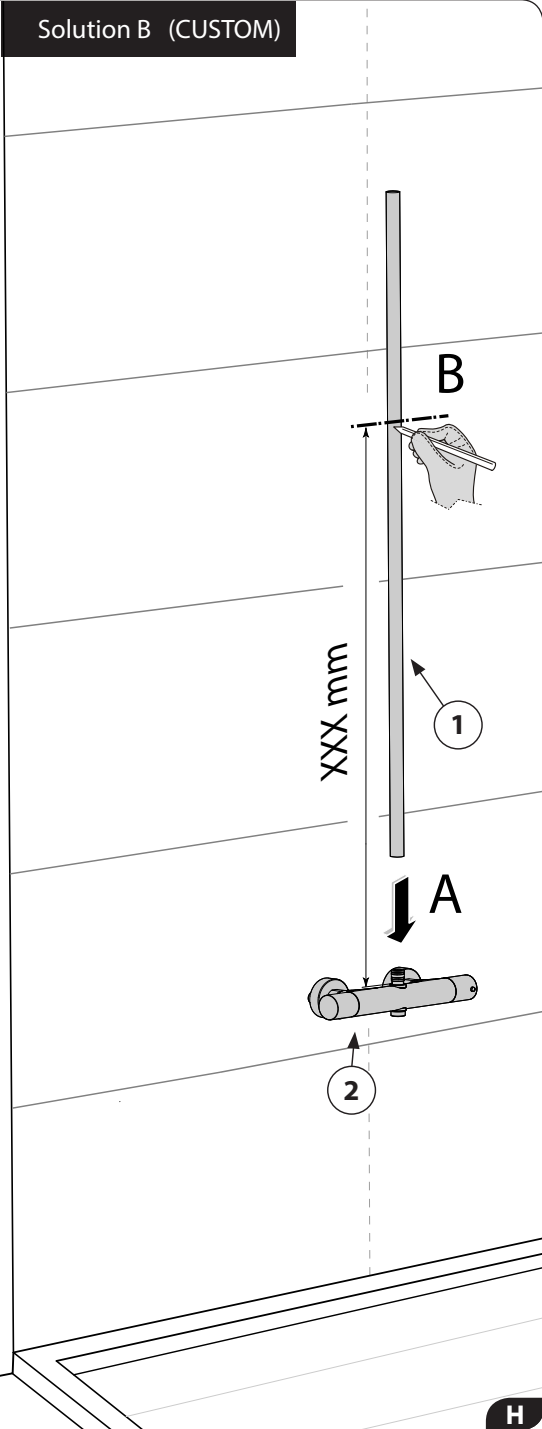
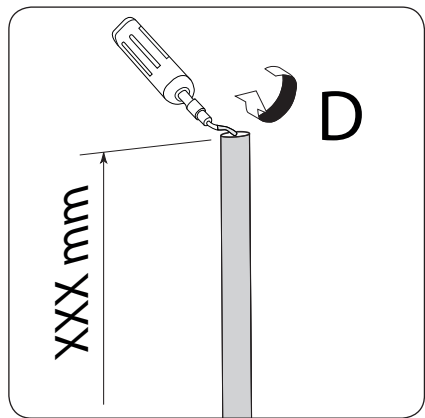
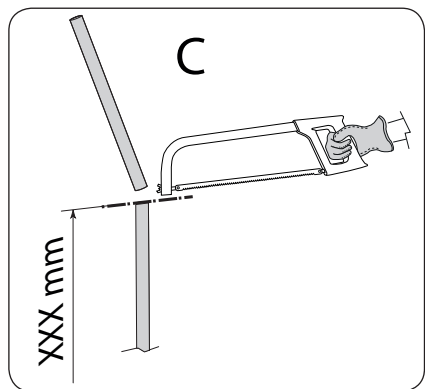
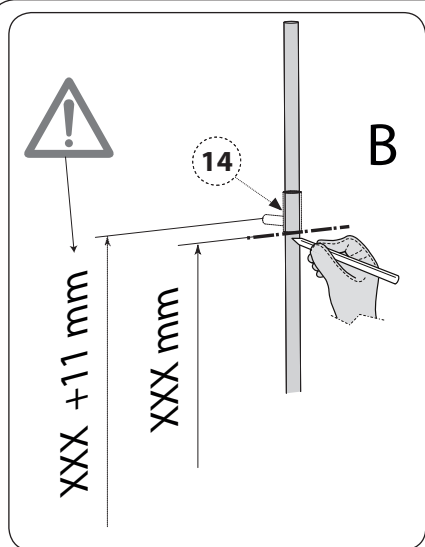
XXX mm (CUSTOM)



Solution A (STANDARD)

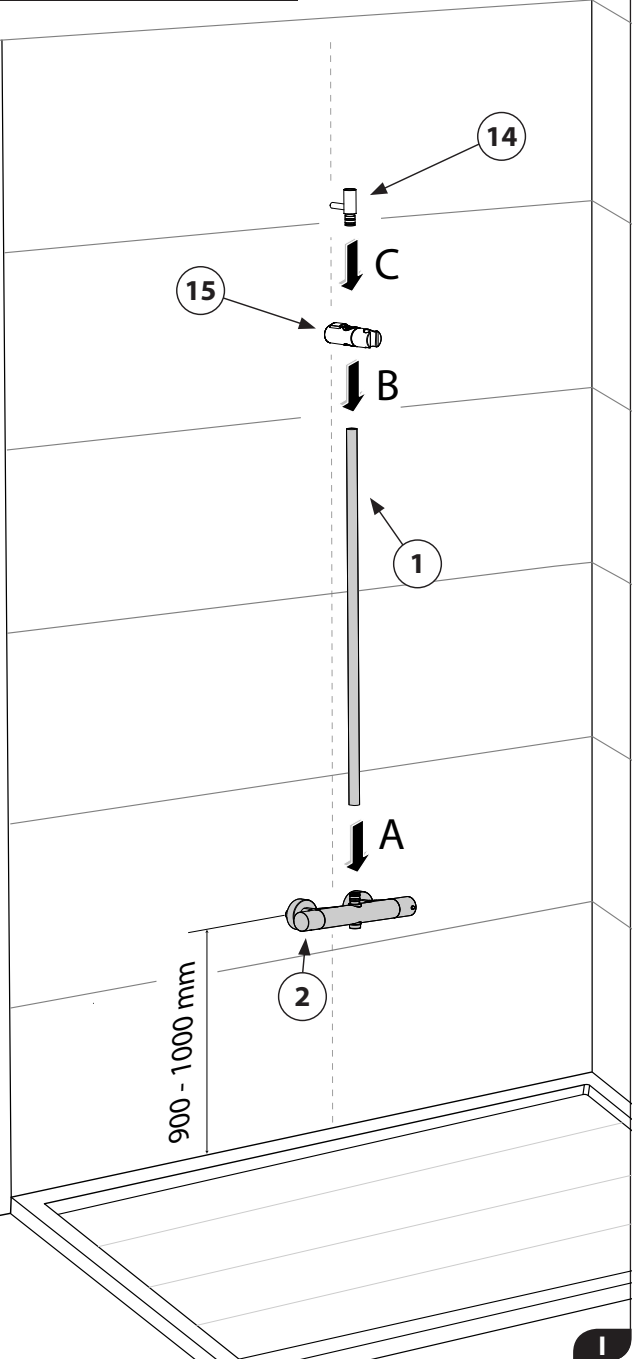
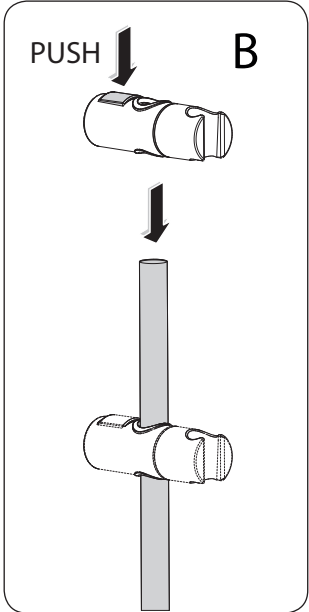
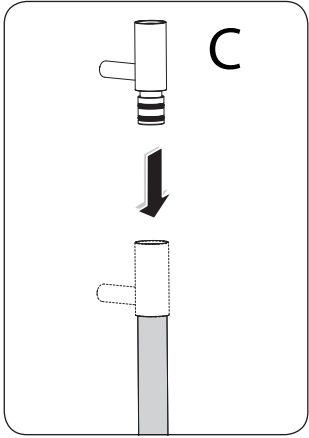


Solution B (CUSTOM)





Solution B (CUSTOM)



Solution A - B

